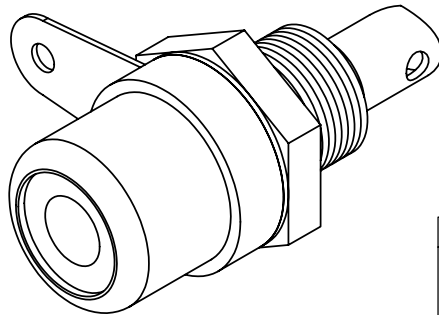
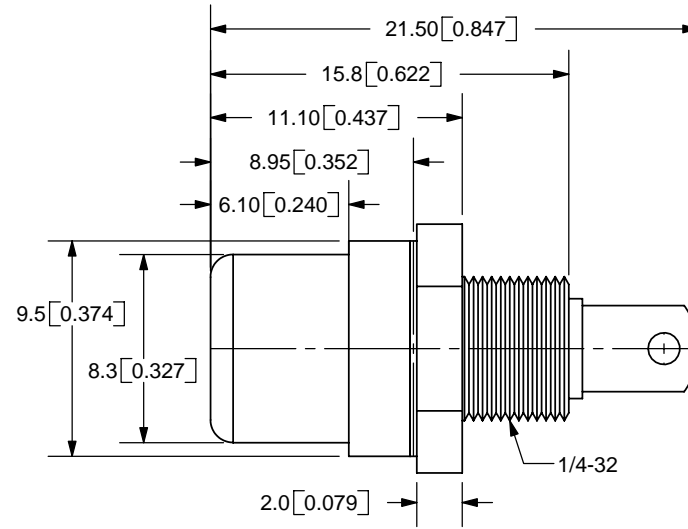
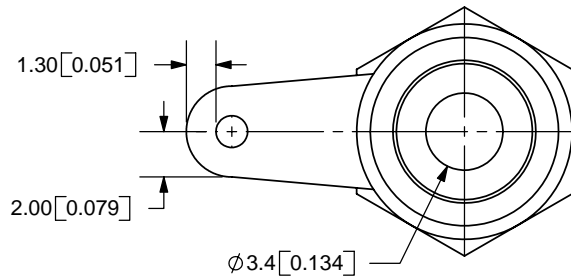


REV.	DESCRIPTION	DATE
A	NEW DRAWING	4/11/2006



MODEL NO.	RCJ-03X
SCHEMATIC	

COLOR INDEX	
PART NO.	COLOR
RCJ-031	Black
RCJ-032	Red
RCJ-033	White
RCJ-034	Yellow
RCJ-035	Blue
RCJ-036	Green
RCJ-037	Orange

TOLERANCE:
±0.3mm UNLESS OTHERWISE
SPECIFIED



9615 SW Allen Blvd., Ste. 103
Beaverton, OR 97005
Phone: 503-643-4899
800-275-4899
Fax: 503-372-1266
Website: www.cui.com

SPECIFICATIONS:
CONTACT RESISTANCE: 30m OHMS MAX
INSULATION RESISTANCE: 100M OHMS MIN: 500V DC
VOLTAGE WITHSTAND: 500V AC R.M.S. FOR 1 MINUTE
LIFE: 5,000 CYCLES

	MATERIAL	PLATING
EARTH TERMINAL (1)	Brass	Nickel
TERMINAL (2)	Brass	Nickel
BODY SHELL	Brass	Nickel
NUT	Brass	Nickel
INSULATOR	PBT	See Color Index
BUSHING	PBT	See Color Index

TITLE:	RCJ JACK, PANEL MOUNT W/NUT	REV:	A
PART NO.	RCJ-03X	UNITS:	MM [INCHES]
DRAWN BY:	ZRJ	APPROVED BY:	
SCALE:			3:1

PC FILE NAME:
RCJ-03X

COPYRIGHT 2006 BY CUI INC.